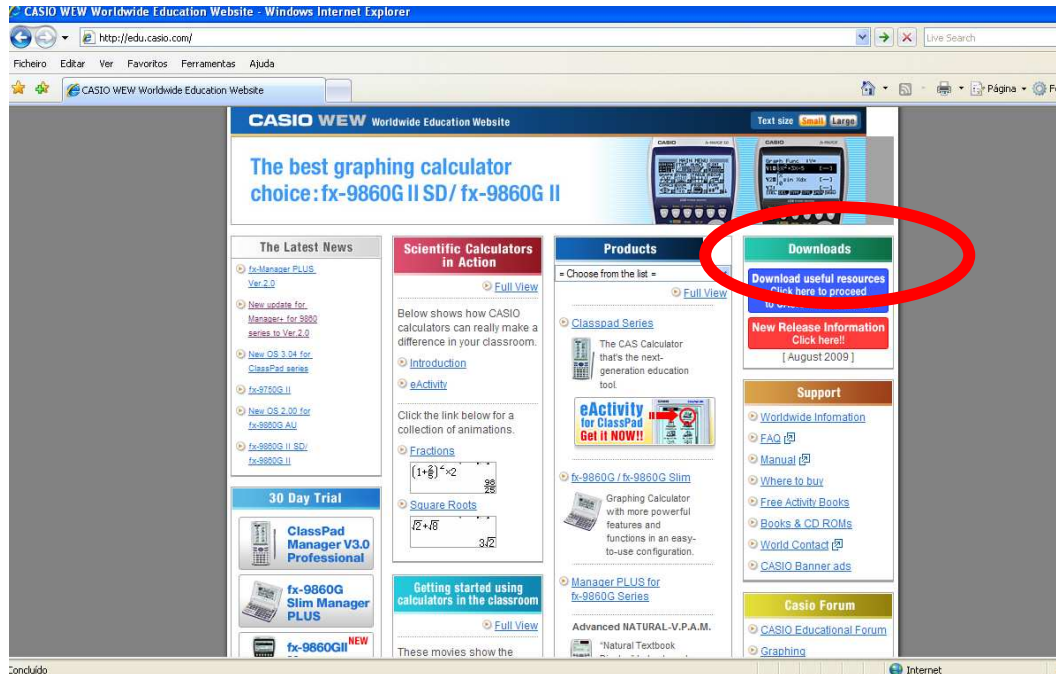


COMO REGISTRAR A SUA CALCULADORA

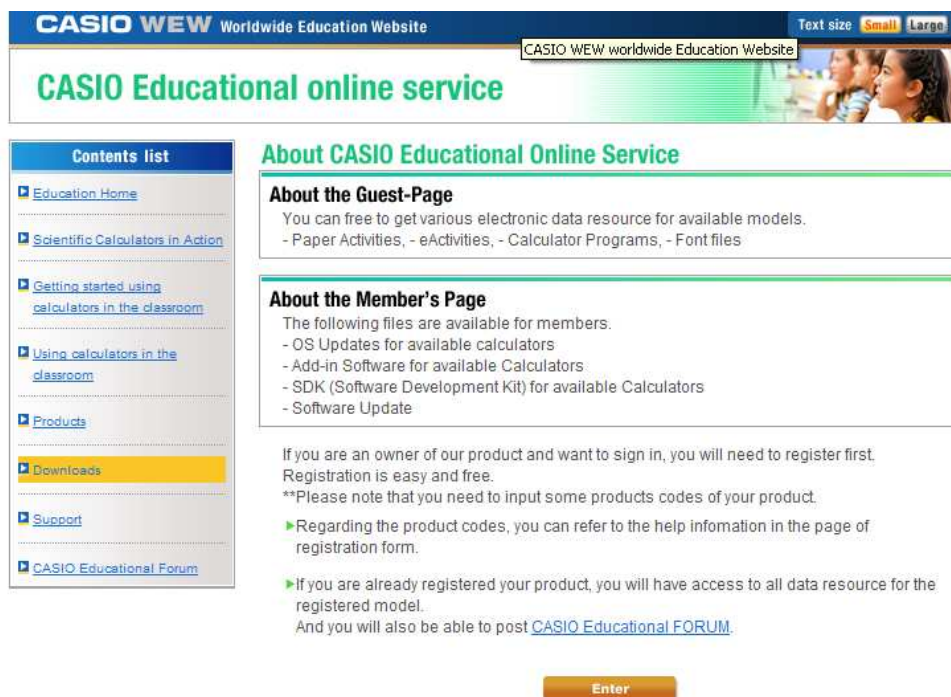
Passo 1:

No site <http://edu.casio.com> entre na opção "DOWNLOADS".



Passo 2:

Pressione "Enter"



Passo 3:

Leia e aceite a licença

SOFTWARE LICENSE AGREEMENT

SOFTWARE LICENSE AGREEMENT by downloading the software, YOU HAVE AGREED to the requirements of this License Agreement.

1. License

The software programs from the linked web page ("Software") are licensed to you by CASIO COMPUTER CO., LTD. ("CASIO") for use solely under terms of this License Agreement.

2. Restriction

- a. You may not reverse engineer, decompose, disassemble, or create derivative works from the Software.
 - b. You may not install the Software onto a network server.
 - c. You may not market, distribute, rent, assign, loan, or transfer copies of the Software or electronically transfer the Software from one computer to another over a network.
-

3. Copy Right

You acknowledges and agrees that the Software is copyrighted and protected under the copyright laws.

4. Disclaimer of Warranties

THE SOFTWARE IS FURNISHED AS IS, WITHOUT WARRANTY OF MERCHANTABILITY, NON-INFRINGEMENT OR FOR PARTICULAR PURPOSE.
CASIO does not warrant that the Software is free from bugs, errors, or other program limitations.

5. Limitation of Liability

CASIO will in no event be liable for direct, indirect, special, consequential, or incidental damages resulting from any defect, error or omission in the Software or from any other events including, but not limited to, any interruption of service, loss of business, loss of profits or good will, legal action or any other consequential damages. You assume all responsibility arising from the use of the Software.

Passo 4:

4.1- No caso de já se encontrar registado, deve introduzir o seu endereço de e-mail e a "password" e efectuar o "Log in".

4.2- Para fazer o resisto da sua calculadora, pressione o botão: "Registration"

CASIO Support Classroom with Technology WW

CASIO Educational online service

Welcome to CASIO Educational online service

CASIO Educational online service offers various electronic data resource for CASIO scientific calculators.

- Educational materials
- Activities for calculator users
- Operating Systems for available calculators
- Add-in software for available calculators
- Calculator programs for programmable calculators
- Electronic activities [eActivities] for available models
- PC software

Guest

You can get various electronic data resource except ones for members. Please proceed to the guest page.

[Guest](#)

Members

Some kinds of electronic data resource are available for members. If you are already registered, please log in. If not, please register to this service to get it. Registering is simple and free.

E-mail address:

Password:

[Log in](#)

[Registration](#) [Forgot Password?](#) [Update/modify](#) [Delete](#)

◀ Home Support Classroom with Technology WW

4.2- Novo registo

Preencha os campos e pressione "Submit". Aceite "OK" e faça o "Log in".



Input the information below to create your profile. When you are finished, click the [NEXT] button to register the information. Make sure you input your e-mail address and the password you want to use, which are required to access various member services. Use English letters and numbers when inputting your mail address and password. Symbols are not allowed. See our [Privacy Policy](#).

E-mail address* → e-mail

E-mail address confirm* → Confirmação de e-mail

Password* (case-sensitive) → Password

Password confirm* → Confirmação da password

Name* → Nome

Occupation* Teacher [Choose from list] → No caso de ser professor. Escolha o grau de ensino

If you are a teacher, Course* [Choose from list] → Escolha a disciplina

Student/Pupil [Choose from list] → No caso de ser aluno

Others → Outro

Country* [Choose from list] → País

Ages* [Choose from list] → Idade

*Input the code of products to add the following models.
 -For fx-9860G series owner:-
 -Please register to the New "CASIO educational online service" to get resources for fx-9860G series.
 -At the bottom of the registration form, input the "code-A" and "code-B" of your calculator (fx-9860G series), and check the box labeled "fx-9860G series".

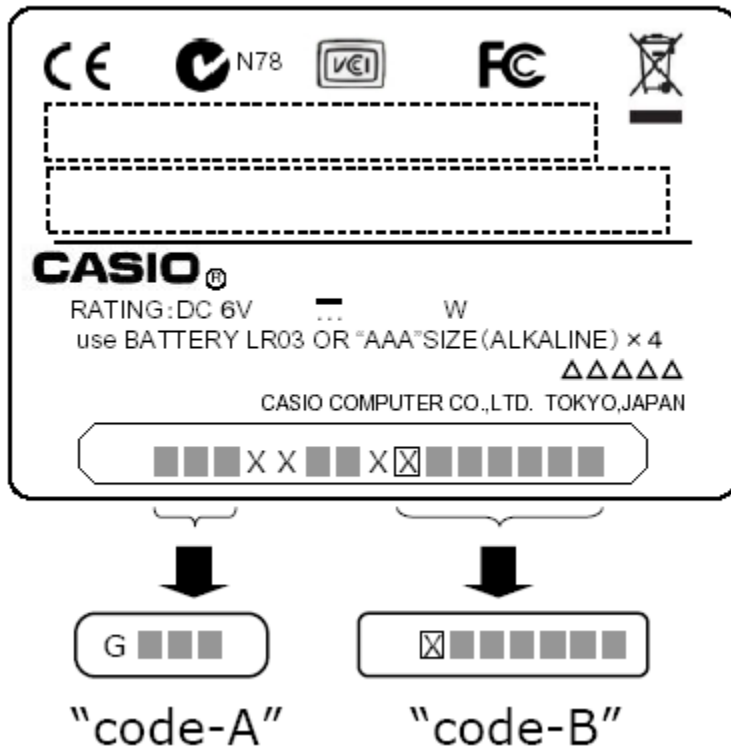
ClassPad 300 series	<input type="checkbox"/>	<input type="text"/>	<input type="button" value="help"/>
ClassPad Manager series	<input type="checkbox"/>	<input type="text"/>	<input type="button" value="help"/>
fx-9860G series	<input type="checkbox"/>	code-A <input type="text"/>	<input type="button" value="help"/>
		code-B <input type="text"/>	<input type="button" value="help"/>
Manager PLUS for fx-9860G series	<input type="checkbox"/>	<input type="text"/>	<input type="button" value="help"/>
CFX-9850G series	<input type="checkbox"/>	<input type="text"/>	
fx-9750G series	<input type="checkbox"/>	<input type="text"/>	
ALGEBRA FX10 series	<input type="checkbox"/>	<input type="text"/>	
FX10 series	<input type="checkbox"/>	<input type="text"/>	

→ Escolha o modelo da sua calculadora

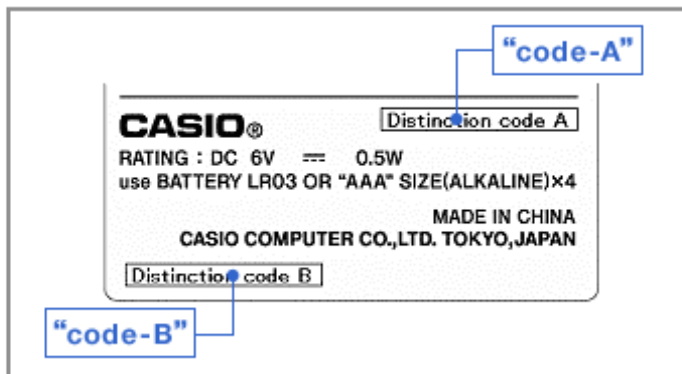
*Choose the models.

Códigos para a FX-9860

Série II



Serie I



Passo 5

Escolha o download pretende fazer.

Por exemplo: se pretende fazer o download da última versão do sistema operativo da sua calculadora fx-9860, coloque um "visto" na caixa que se encontra imediatamente antes e pressione "Next".

■ **fx-9860G series**

- OS Update for fx-9860G(SD) Ver.2

Windows Internet Explorer window showing the CASIO Educational Website download service. The browser title is "Educational online service 2006 = for CASIO Educational Website = - Windows Internet Exp". The address bar shows "https://edu.casio.com/download_service/download/auth_jchk.php". The page content is a list of download options for various calculator models, including the fx-9860G series, ALGEBRA FX2.0 series, Other Graphing Calculators, ES Standard calculators, MS Standard Calculators, and Materials for Calculators. The "OS Update for fx-9860G(SD) Ver.2" option is selected. At the bottom of the page, there are "BACK" and "NEXT" buttons.

Passo 6

Click sobre a opção desejada.



 **Members Log in**

[New Registration](#)

[Forgot Password?](#)

Browse resource / Download resource

Click underlined item to download the file.

■fx-9860G series

□OS Update for fx-9860G(SD) Ver.2

•Handheld OS Update

> [*Version 2.00](#)

"not approved for Singapore A level"

> [FA-124 Ver.2.00 \(for Windows only\)](#)

It is required for OS version 2.0 or later.

•User's Guide

> [\[PDF File\] User's Guide for Version 2.00 \(English\)](#)

> [\[PDF File\] User's Guide for Version 2.00 \(French\)](#)

> [\[PDF File\] User's Guide for Version 2.00 \(German\)](#)

> [\[PDF File\] User's Guide for Version 2.00 \(Spanish\)](#)

•User's Guide [OS Update]

> [\[PDF File\] User's Guide of OS Update \(English\)](#)

> [\[PDF File\] User's Guide of OS Update \(French\)](#)

> [\[PDF File\] User's Guide of OS Update \(German\)](#)

> [\[PDF File\] User's Guide of OS Update \(Spanish\)](#)

•User's Guide/ Installation Guide [FA-124]

> [\[PDF File\] User's Manual for FA-124](#)

[BACK](#)

Passo 7:

Faça o download, pressionando o respectivo botão.

**Passo 8.**

Abra ou guarde o ficheiro.

